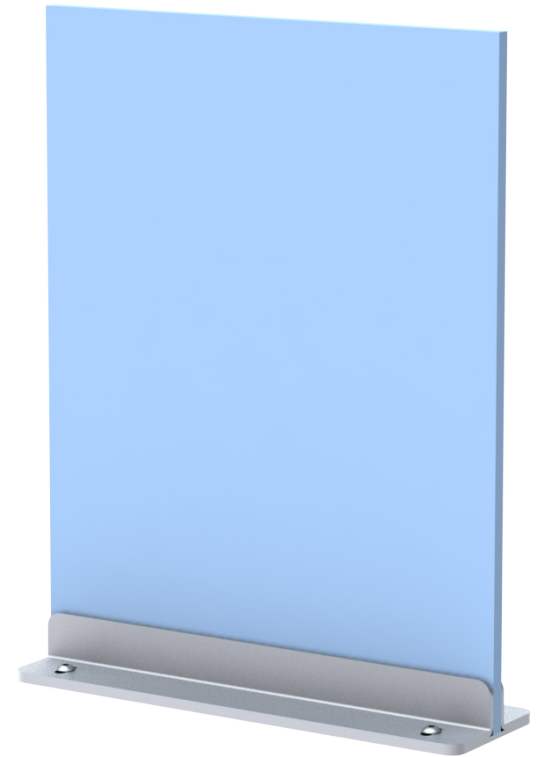
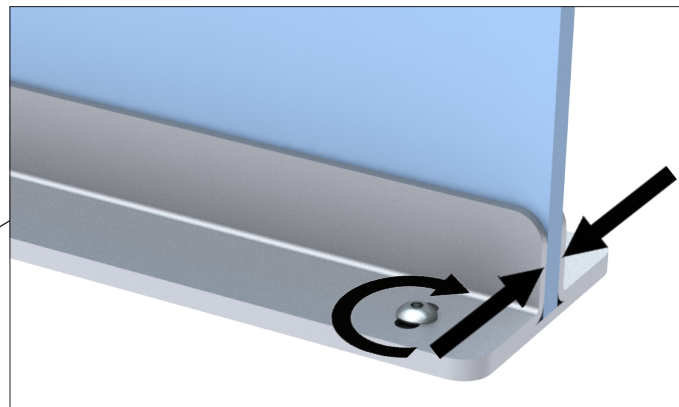
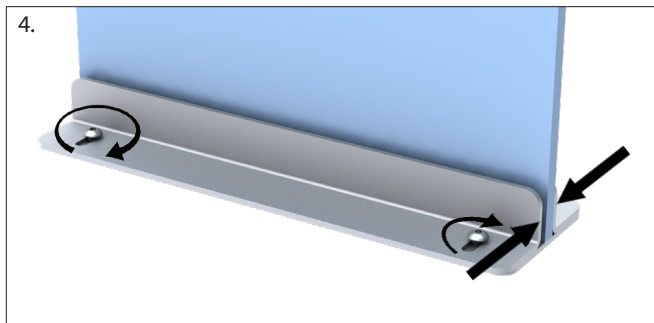
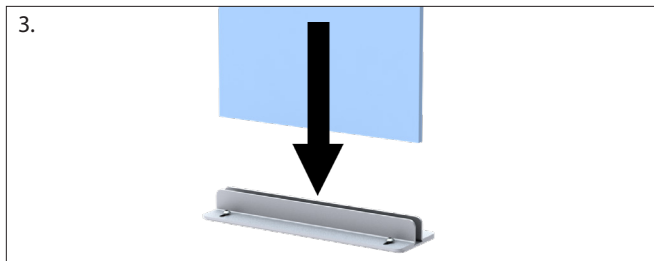
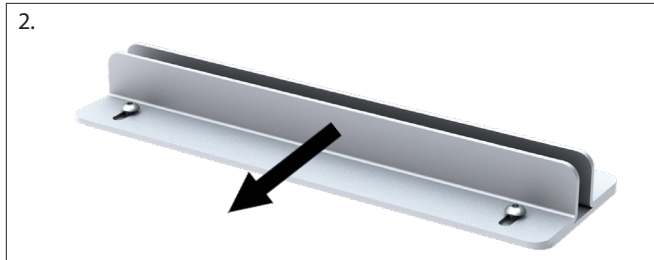
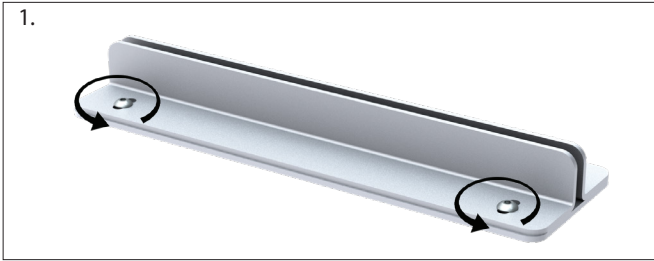


CounterTop Adjustable Double LL Mount - ALLT Series

1. Loosen both Allen screws slightly.
2. Move the adjustable L to widen the space for the graphic.
3. Slide the graphic in.
4. With one hand, firmly press and hold the L's together against the graphic, then tighten each screw.
If the graphic is loose, loosen one screw at a time, press the two L's together, and re-tighten. Repeat for the second screw.



ALLT85 shown